

# biocare<sup>uv</sup> tile

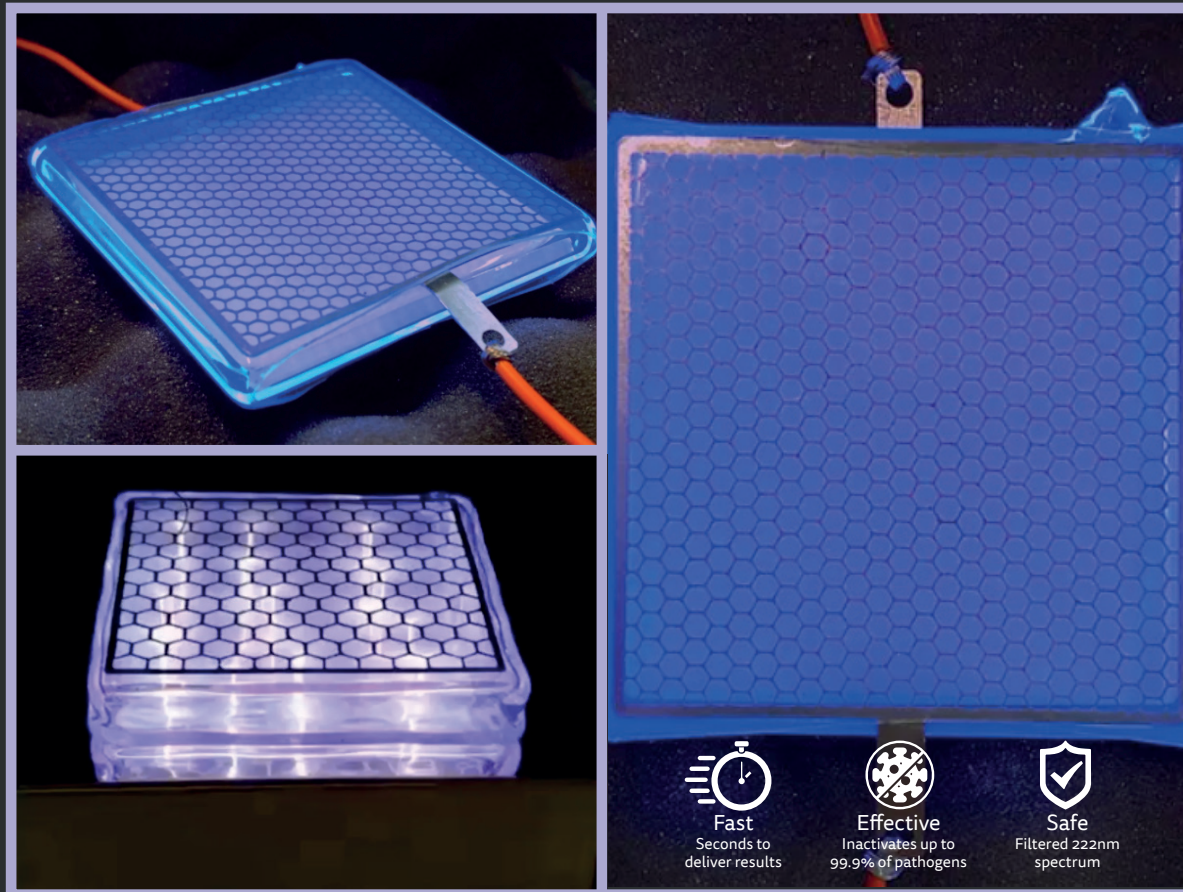
Pandemic Protection Products



# biocare<sup>uv</sup> tile

## Product Description

BiocareUV tile uses Far-UV 222nm light to provide a disinfection system that is safe, effective, and that can be used in occupied spaces in line with manufacturers instructions. Proven effective at destroying pathogens like SARS-COV-2, bacteria, moulds and spores. This tile fixture can be used in conjunction with the existing lighting to provide continuous air and surface disinfection in occupied spaces.



## Features & Benefits

- Safe UV wavelength
- Disinfects surfaces quickly
- Dry, chemical free disinfection
- Full installation consultancy
- Ozone Neutral & Mercury Free

## Applications

- Airports & Transportation
- Hospitality & Retail
- Educational establishments
- Hospitals & Healthcare
- Any other occupied spaces

# biocare<sup>uv</sup> gate

## Product Specifications



### Lamp

ACGIH	TLV Compliant
Peak wavelength	222nm
UV intensity	3,600 uW/cm <sup>2</sup> @ 4cm
Illumination	Flood pattern - directional
IEC Compliant	62471
Ozone	Meets UK WEL

### Electrical

Voltage	12V DC
Input Power	240V AC 50Hz
Certifications	EESR 2016

### Mechanical

Operating temperature	88 degrees Celsius (190F)
Weight	57 grams (UV Flat-form Excimer only)
Lamp dimensions	64mm x 64mm x 8mm
Connection type	2 screw down terminals
Expected lifespan	20,000+ hours
Certifications	Will be CE marked
Total system warranty	1 year limited

# biocare<sup>uv</sup> tile

## Product Schematics

Pathogen reduction will vary based on the type of virus or bacteria, the distance from the Far-UV 222nm light source and time of direct exposure.

The term sanitisation is used to indicate a general pathogen reduction and does not reference a specific log reduction.

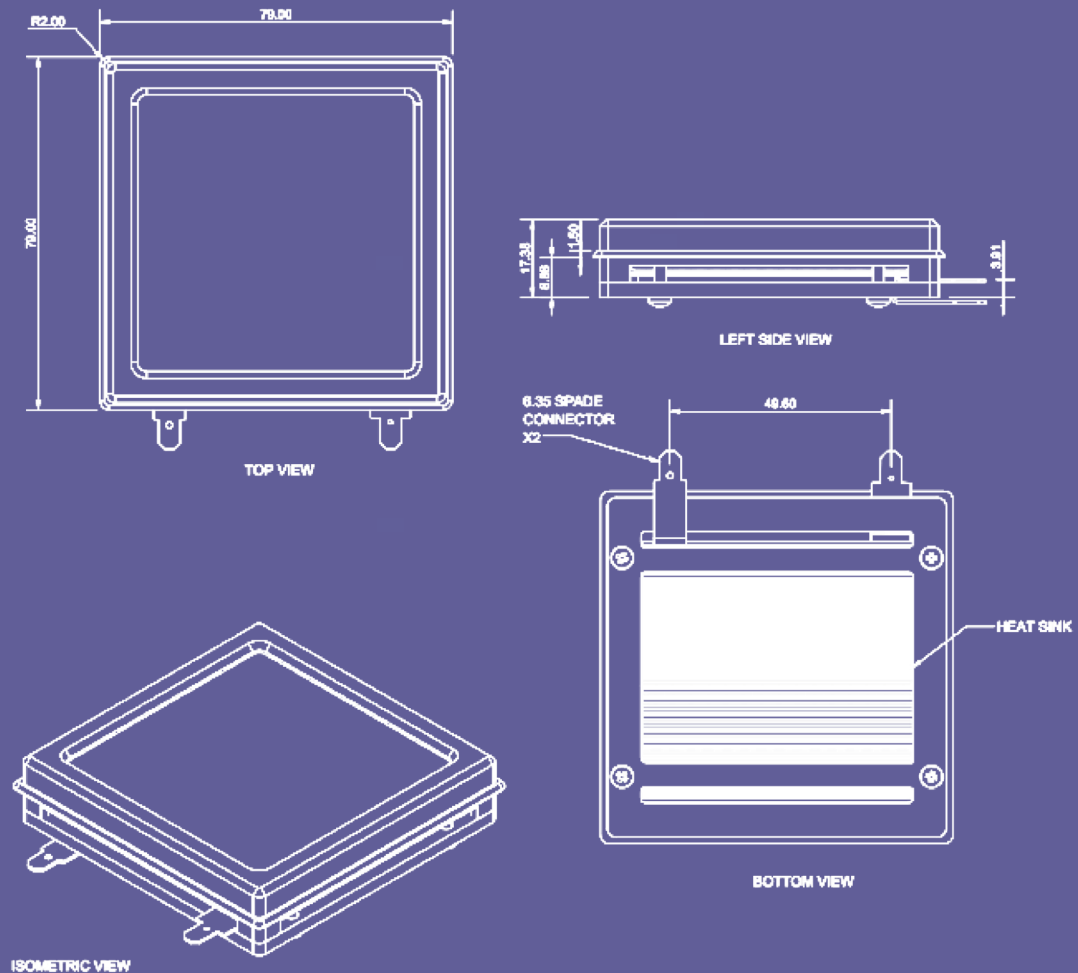
BiocareUV products are intended to be used in conjunction with other protective measures like manual cleaning and proper use of PPE.

Always consult with a trained product application representative to ensure that the total irradiance (UV dose) does not exceed recommended human exposure limits.

BiocareUV products should be installed and used in accordance with manufacturer's site planning and application recommendations as applicable for the product.

Product specifications are subject to change without notice.

BiocareUV's tile is not currently intended for use as a medical device.



Made in the UK



1 year limited warranty



biocare  tile